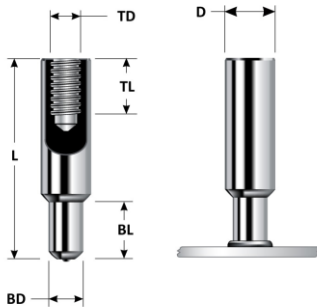


## Tapped Reduced Base Imperial Thread



### Imperial Thread:

Diameter "D"	Minimum Length "L"	Tap Length "TL"	Tap Diameter "TD"	Fillet Height* "FH"	Fillet Diameter* "FD"	Est. Burn* Off
1/4	3/4	1/2	8-32	.111	.250	.125
5/16	1	5/8	10-24	.125	.312	.125
3/8	1	5/8	1/4-20	.141	.375	.125
7/16	1	5/8	5/16-18	.156	.437	.125
1/2	1-5/8	5/8	3/8-16	.172	.500	.125
5/8	1-5/8	5/8	7/16-14	.266	.625	.187
3/4	1-3/4	3/4	1/2-13	.335	.750	.187
7/8	2	3/4	5/8-11	.390	.875	.187
1	3	3/4	3/4-10	.468	1	.250

\* Approximate values

Other sizes available

Contact us if you have a special requirement

### Material:

	Low Carbon Steel	Stainless Steel
<b>Material:</b>	ASTM A108 C1010-C1020 C-0.23% max; P-0.04% max MN-0.90% max; S-0.05% max	ASTM A276 302HQ/304/304L STANDARD 18-8
<b>Mechanical Properties:</b>	Min. Tensile Type A .....61,000 psi (420 Mpa) Min. Yield Type A .....49,000 psi (340 MPa) Min. Tensile Type B .....65,000 psi (450 MPa) Min. Yield Type B .....51,000 psi (340 MPa)	Other Grades Available Upon Request
<b>Plating:</b>	Available As Special Request	Plating Does Not Apply To Stainless Steel
<b>Annealing:</b>		Studs Are Annealed Where Required