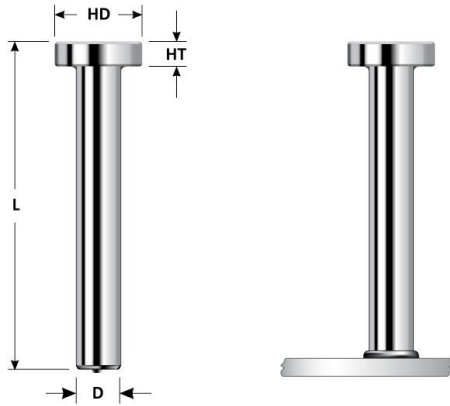


## Headed Anchor



Imperial Diameter "D"	Metric Diameter "D"	Minimum Length "L"	Head Diameter "HD"	Head Thickness "HT"	Burn Of Flat
1/4	6mm	1.125	.500	.187	.125
3/8	10mm	1.375	.750	.281	.125
1/2	13mm	1.625	1	.312	.125
5/8	16mm	1.437	1.250	.312	.187

\* Approximate values  
 Other sizes available  
 Contact us if you have a special requirement

### Material:

	Low Carbon Steel	Stainless Steel
<b>Material:</b>	ASTM A108 C1010-C1020 C-0.23% max; P-0.04% max MN-0.90% max; S-0.05% max	ASTM A276 302HQ/304/304L STANDARD 18-8
<b>Mechanical Properties:</b>	Min. Tensile Type A .....61,000 psi (420 Mpa) Min. Yield Type A .....49,000 psi (340 MPa) Min. Tensile Type B .....65,000 psi (450 MPa) Min. Yield Type B .....51,000 psi (340 MPa)	Other Grades Available Upon Request
<b>Plating:</b>	Available As Special Request	Plating Does Not Apply To Stainless Steel
<b>Annealing:</b>		Studs Are Annealed Where Required