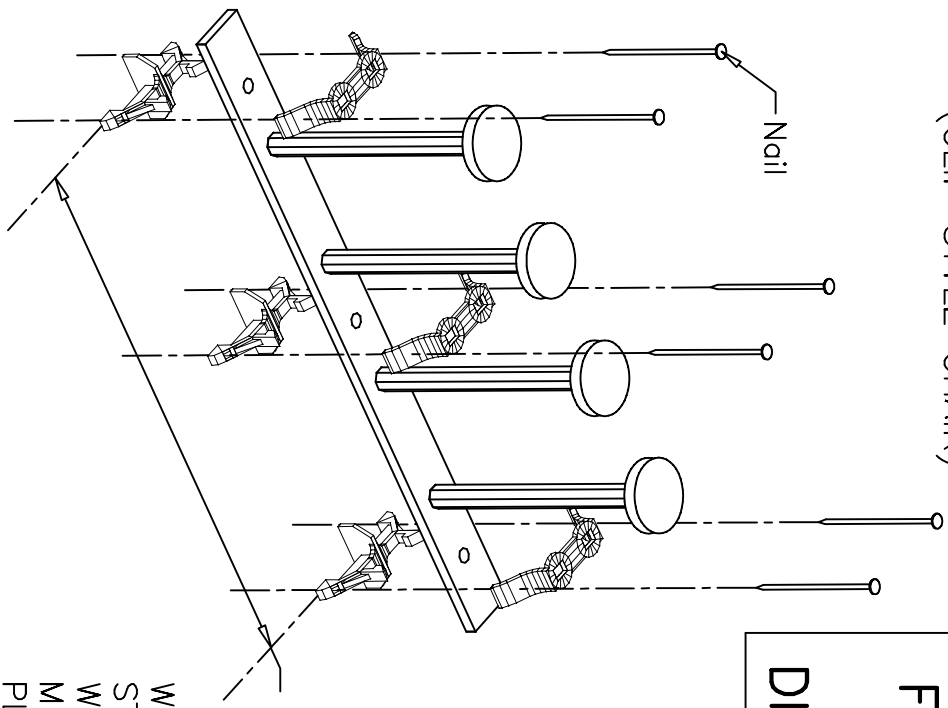
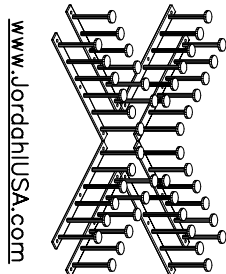


CHAIR ATTACHMENT (CLIP STYLE CHAIR)

INSTALLATION INSTRUCTIONS FOR STUDRAILS® WITH $\frac{1}{2}$ " & $\frac{5}{8}$ " DIAMETER STUDS

Palm Desert, CA
(866) DECON-US

Brampton, ON
(800) 36-DECON



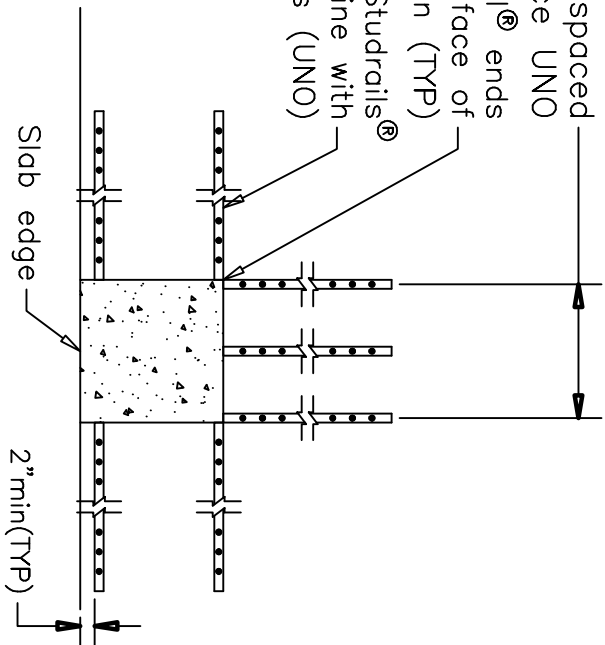
- Studrails® must be vertical.
- Studrails® must be placed at column corners UNO.
- Position chairs 2" minimum from rail ends.
- Slide additional chairs on rail equally spaced (See table).
- Use one chair top with each chair bottom.
- Position chair top over base rail.
- Use 4d-6d common nails.
- Insert nail through hole in chair top.
- Nail through chair to form.
- Nail all chairs tightly.

Studs should be
equally spaced along
Studrail® UNO

WARNING!
STUDRAILS® MUST BE INSTALLED
WITH THE STUDS VERTICAL AND
MUST REMAIN VERTICAL WHEN
PLACING THE CONCRETE.

Studs should be
equally spaced
along column face UNO

Studrail® ends
at face of
column (TYP)
Edge of Studrails®
to be in line with
column faces (UNO)



Length of rail	No. chairs
0 - 19 $\frac{3}{4}$ "	2
20 - 39 $\frac{3}{4}$ "	3
40 - 59 $\frac{3}{4}$ "	4
60 - 79 $\frac{3}{4}$ "	5
80"+	6

NOTE: QUANTITY OF CHAIRS SHIPPED REFLECTS
REQUIRED QUANTITIES PER LENGTH OF RAIL